

# 2703 Euclid Ave. Apt. 3



2703 Euclid Ave., Cincinnati, OH, USA 45219



## Nazca Properties

manager@nazcaproperties.com

513-535-2154

## Statistics

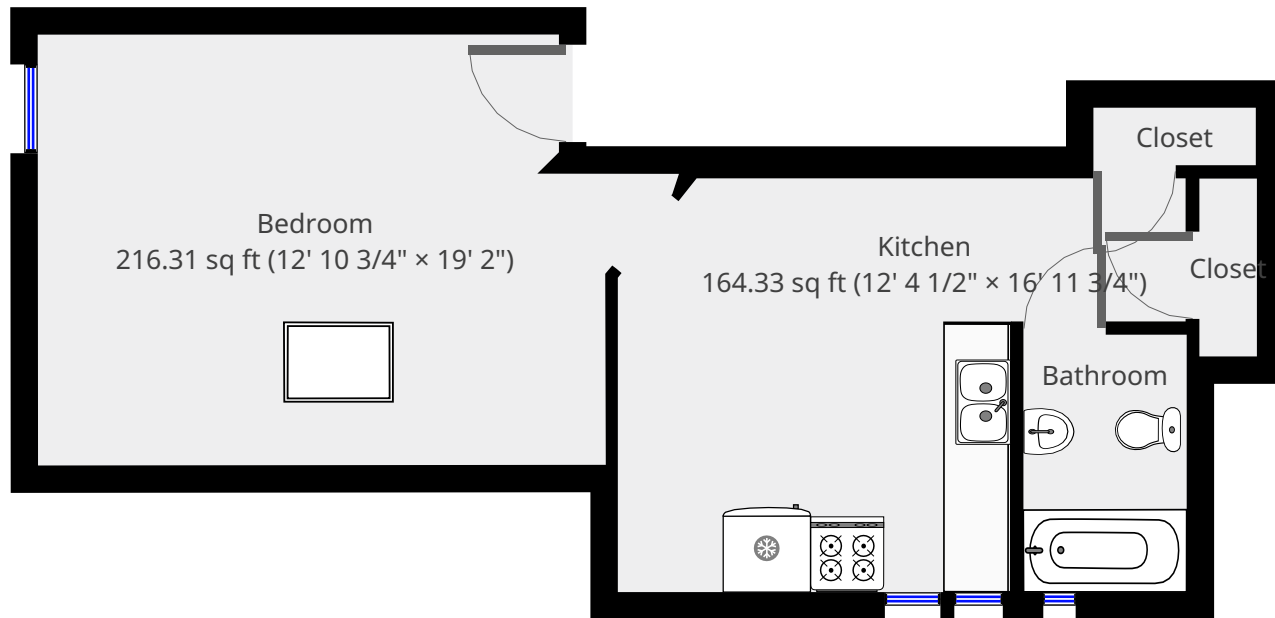
Area: 436 sq ft

1 Floor

1 Bedroom

1 Bathroom

## 3rd Floor

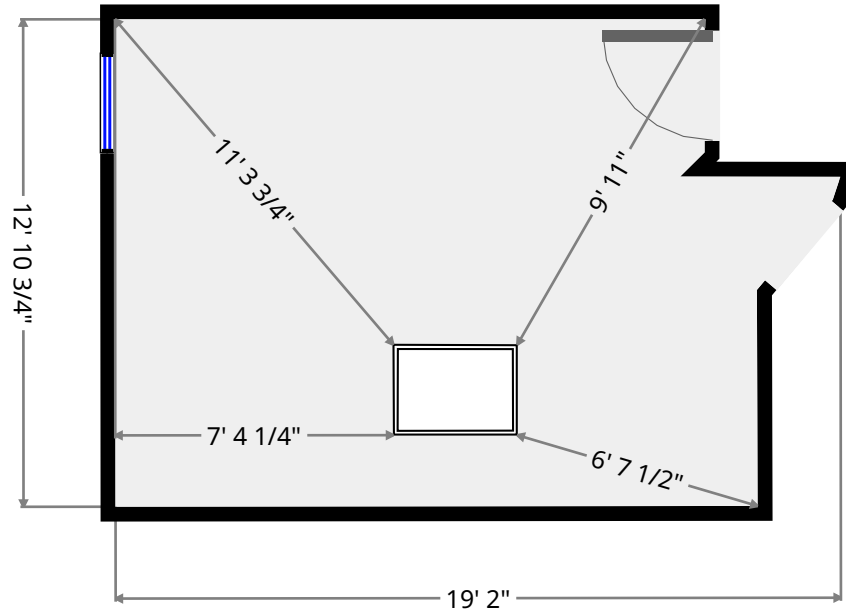
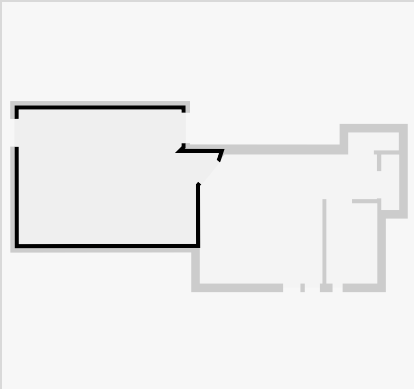


THIS FLOORPLAN IS PROVIDED WITHOUT WARRANTY OF ANY KIND. NAZCA PROPERTIES DISCLAIMS ANY WARRANTY INCLUDING, WITHOUT LIMITATION, SATISFACTORY QUALITY OR ACCURACY OF DIMENSIONS.



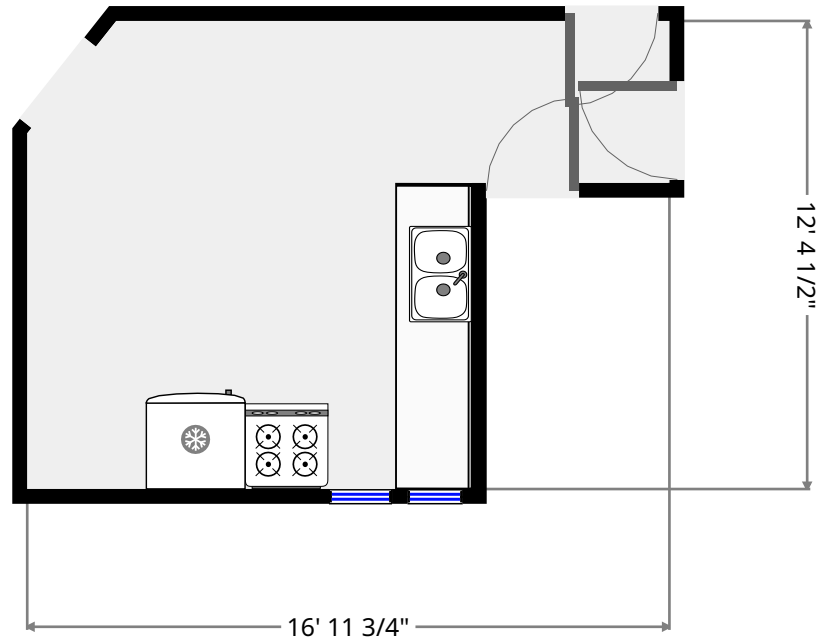
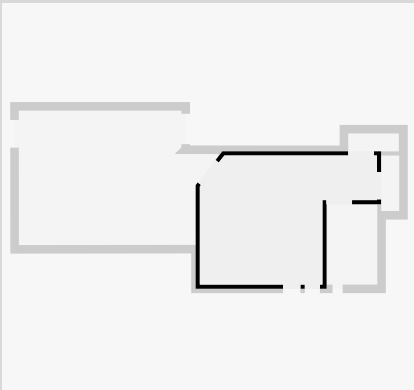
## Bedroom

Width: 12' 10 3/4"  
 Length: 19' 2"  
 Area: 216.31 sq ft  
 Perimeter: 63' 7"  
 Ceiling Height: 8' 8 1/2"



## Kitchen

Width: 12' 4 1/2"  
 Length: 16' 11 3/4"  
 Area: 164.33 sq ft  
 Perimeter: 57' 2"  
 Ceiling Height: 8' 8 1/4"

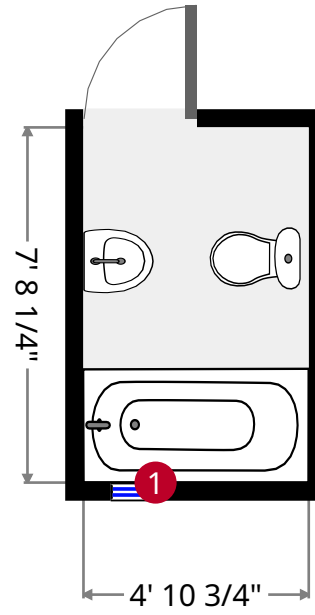
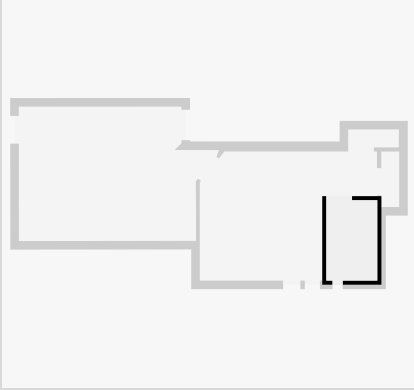


THIS FLOORPLAN IS PROVIDED WITHOUT WARRANTY OF ANY KIND. NAZCA PROPERTIES  
 DISCLAIMS ANY WARRANTY INCLUDING, WITHOUT LIMITATION, SATISFACTORY QUALITY OR  
 ACCURACY OF DIMENSIONS.



# Bathroom

Width: 4' 10 3/4"  
Length: 7' 8 1/4"  
Area: 37.58 sq ft  
Perimeter: 25' 2"  
Ceiling Height: 7' 1/4"

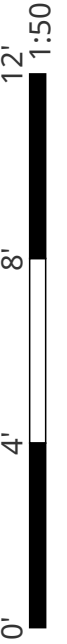


1



Hung Window

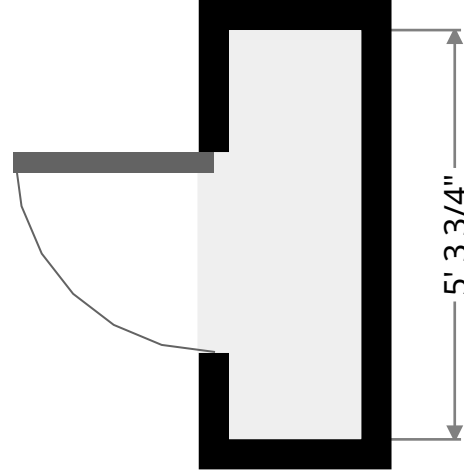
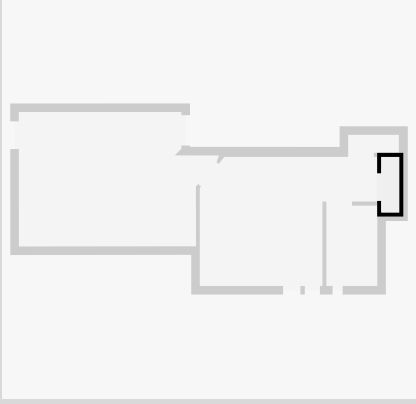
- Height: 2' 5 1/4"



THIS FLOORPLAN IS PROVIDED WITHOUT WARRANTY OF ANY KIND. NAZCA PROPERTIES  
DISCLAIMS ANY WARRANTY INCLUDING, WITHOUT LIMITATION, SATISFACTORY QUALITY OR  
ACCURACY OF DIMENSIONS.

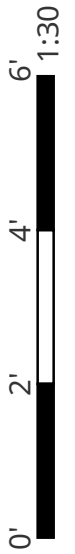
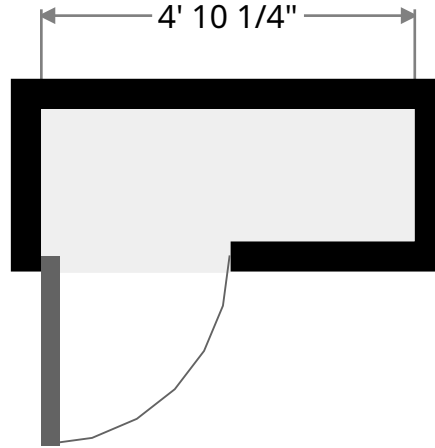
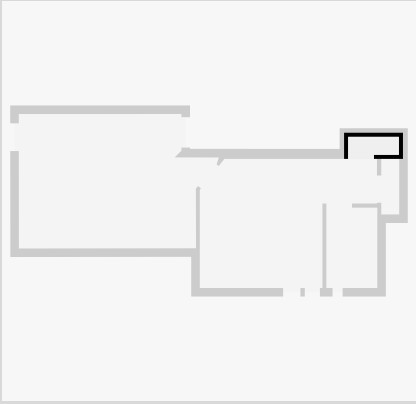
## Closet

Width: 1' 8 3/4"  
Length: 5' 3 3/4"  
Area: 9.15 sq ft  
Perimeter: 14' 1"



## Closet

Width: 1' 8 3/4"  
Length: 4' 10 1/4"  
Area: 8.35 sq ft  
Perimeter: 13' 1 3/4"



THIS FLOORPLAN IS PROVIDED WITHOUT WARRANTY OF ANY KIND. NAZCA PROPERTIES  
DISCLAIMS ANY WARRANTY INCLUDING, WITHOUT LIMITATION, SATISFACTORY QUALITY OR  
ACCURACY OF DIMENSIONS.